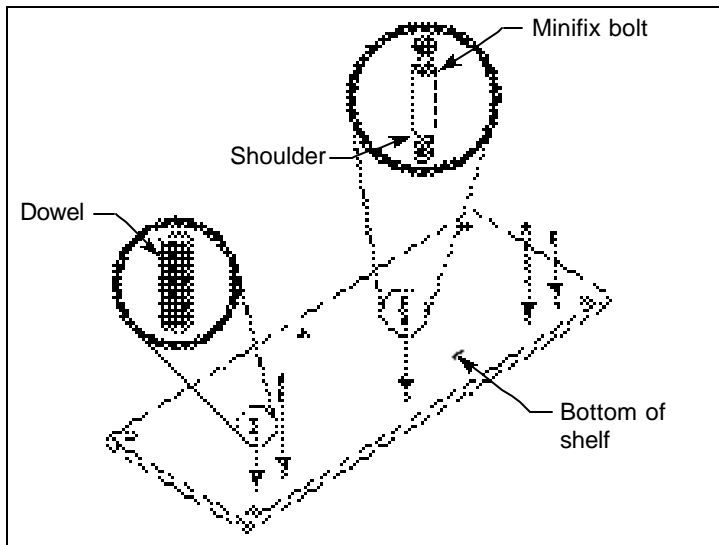


# STACK-ON UNIT

# INSTALLATION INSTRUCTIONS

Illustration 1



Read all instructions and review illustrations before installing.

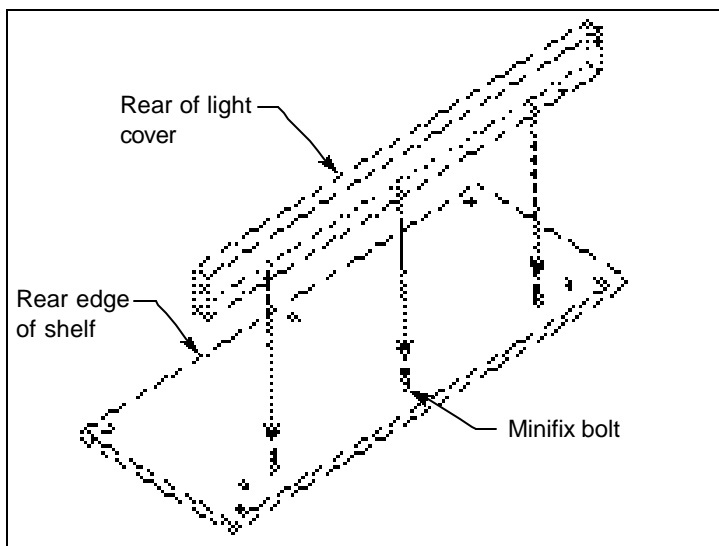
Tools required for assembly:

Phillips screwdriver      Rubber mallet  
4mm Allen wrench (supplied)

This assembly includes:

(1) Top	(1) Right end block
(1) Right end panel	(1) Left end block
(1) Left end panel	(15) Minifix bolt
(1) Back	(15) Minifix cam
(1) Shelf	(14) Dowel
(1) Light cover	(2) Reveal
(2) Door	(4) Hinge
(4) Mounting plate	(2) Wood bolt
(1) 4mm Allen wrench	(-) Mounting tape

Illustration 2



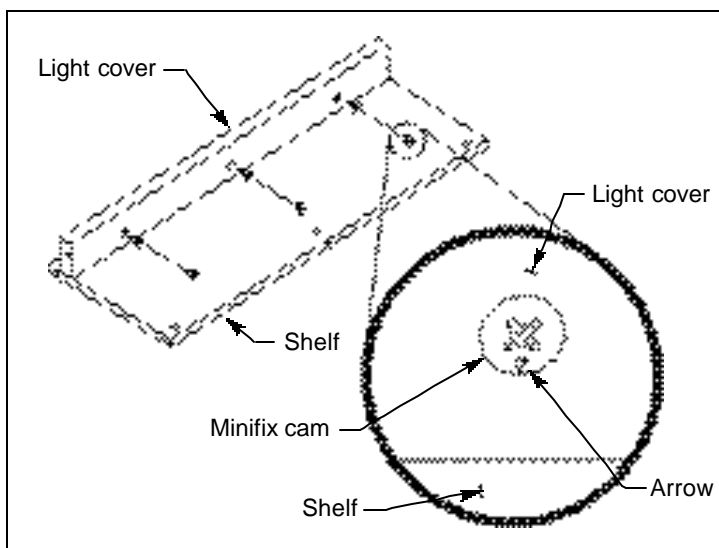
## ⚠ WARNING

Wood products are heavier than they appear and may be hard to control when moving. Use two or more people when moving wood products or severe personal injury may result. Heavy panels can pinch or crush fingers. Do not place fingers between or under panels during assembly.

Assembly:

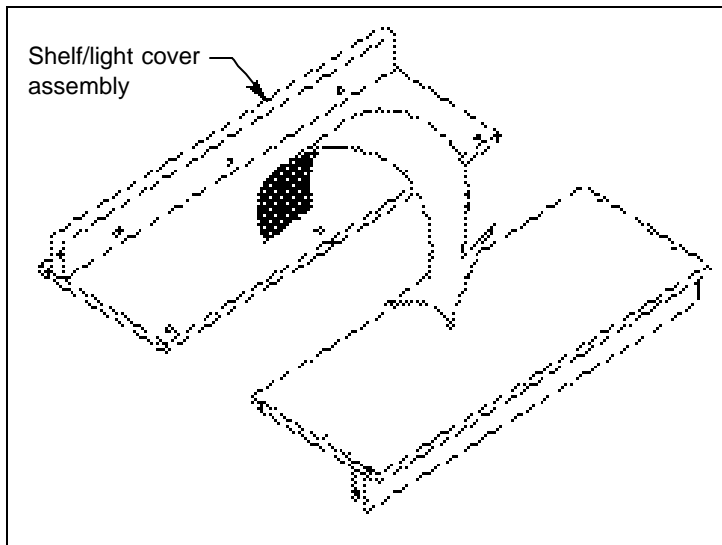
1. Refer to Illustration 1. Lay shelf, bottom side up, on cardboard or a carpeted surface.  
Use the Phillips screwdriver to install three minifix bolts (from hardware pack) onto shelf. Tighten each minifix bolt until minifix bolt shoulder is flat against surface of right end panel.  
Use the rubber mallet to install two dowels (from hardware pack) onto shelf as shown.
2. Refer to Illustration 2. Attach light cover to shelf by inserting minifix bolts, attached to shelf, into holes drilled into top edge of light cover.  
Ensure the set of three holes in rear of light cover are facing toward rear edge of shelf.
3. Refer to Illustration 3. With arrows facing shelf, install three minifix cams (from hardware pack) into holes in rear of light cover.  
Use the Phillips screwdriver to tighten minifix cams. Turn minifix cams clockwise to tighten.

Illustration 3



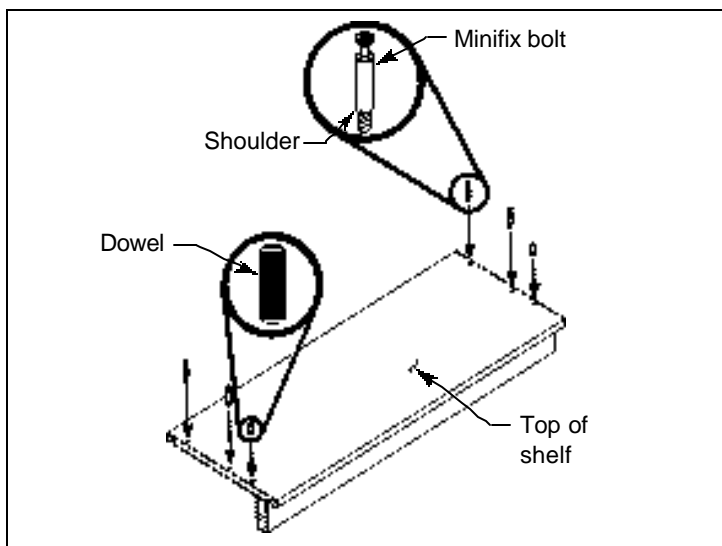
# STACK-ON UNIT

**Illustration 4**



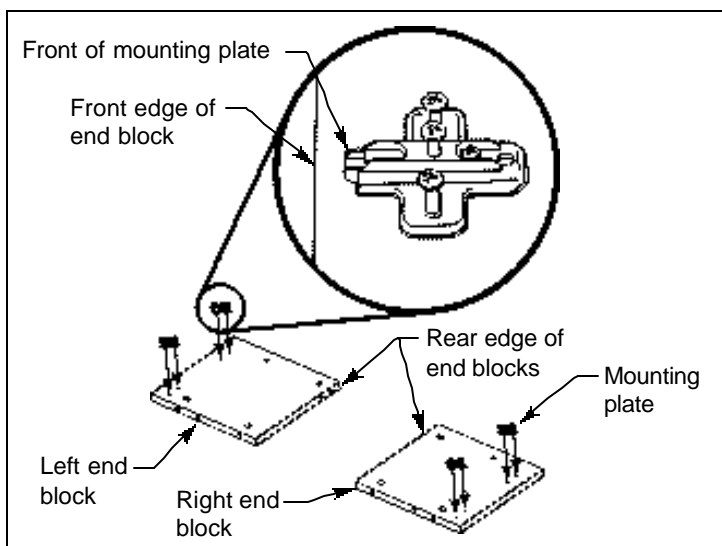
4. Refer to Illustration 4. Lay shelf, top side up, on cardboard or a carpeted surface.

**Illustration 5**



5. Refer to Illustration 5. Use the Phillips screwdriver to install four minifix bolts (from hardware pack) onto shelf. Tighten each minifix bolt until minifix bolt shoulder is flat against surface of right end panel. Use the rubber mallet to install two dowels (from hardware pack) onto shelf as shown.

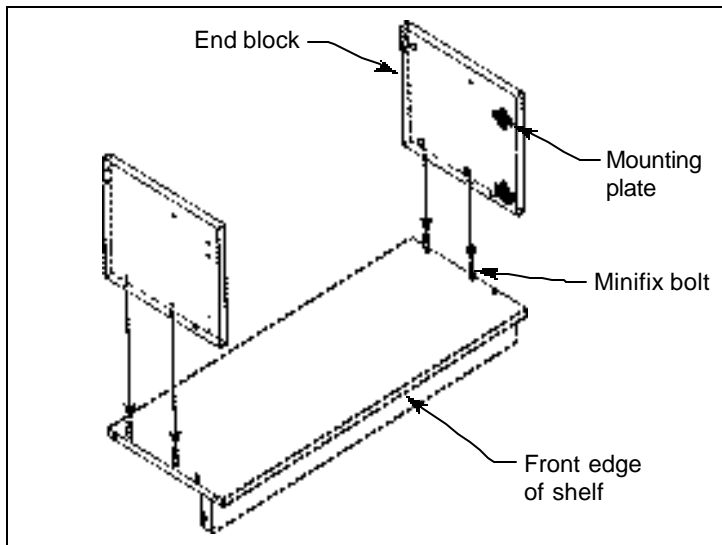
**Illustration 6**



6. Refer to Illustration 6. Lay end blocks, as shown, onto cardboard or a carpeted surface. Use the Phillips screwdriver to install two hinge mounting plates (from hardware pack) onto each end block. Ensure front of mounting plates face front edge of each end block.

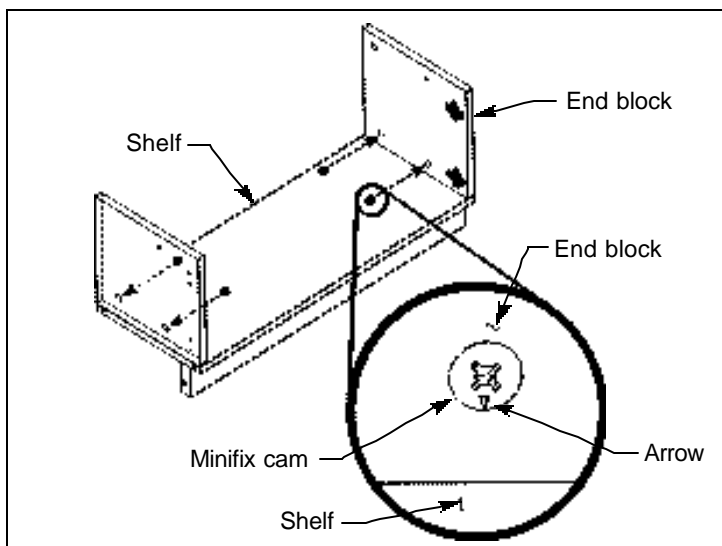
# STACK-ON UNIT

Illustration 7



7. Refer to Illustration 7. Attach end blocks to shelf by inserting minifix bolts, attached to shelf, into holes drilled into bottom edge of end blocks. Ensure hinge mounting plates, attached to end blocks, are facing toward front edge of shelf.

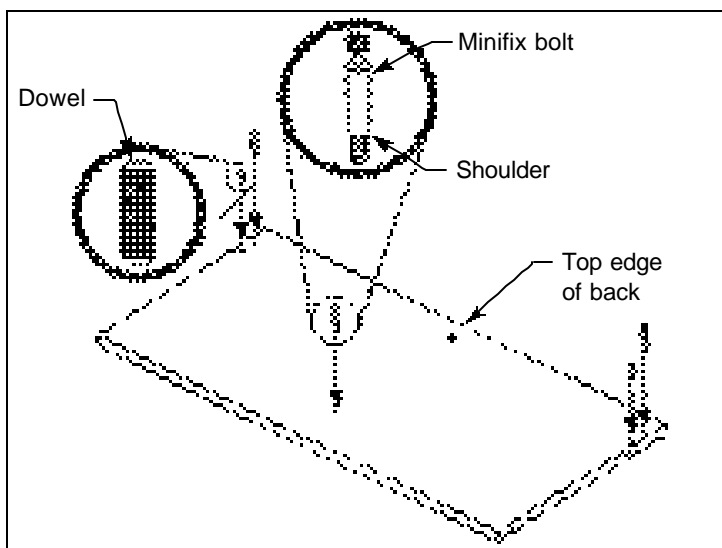
Illustration 8



8. Refer to Illustration 8. With arrows facing shelf, install two minifix cams (from hardware pack) into holes along bottom edge of each end block.

Use the Phillips screwdriver to tighten minifix cams. Turn minifix cams clockwise to tighten.

Illustration 9



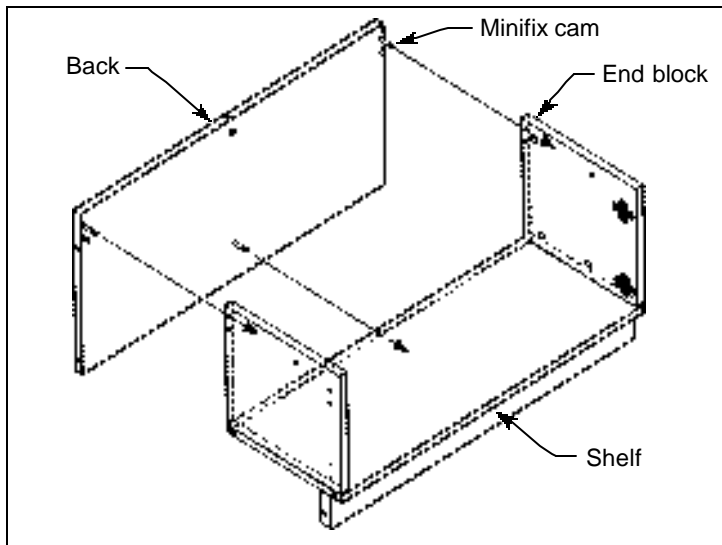
9. Refer to Illustration 9. Lay back, with holes up, on cardboard or a carpeted surface.

Use the Phillips screwdriver to install three minifix bolts (from hardware pack) onto back. Tighten each minifix bolt until minifix bolt shoulder is flat against surface of right end panel.

Use the rubber mallet to install two dowels (from hardware pack) onto back as shown.

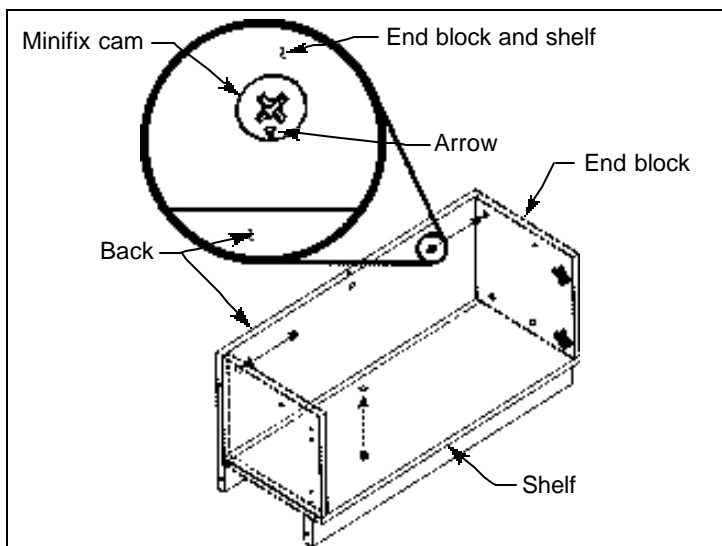
# STACK-ON UNIT

Illustration 10



10. Refer to Illustration 10. Attach back to shelf and end blocks by inserting minifix bolts, attached to back, into holes drilled into rear edge of shelf and end blocks.

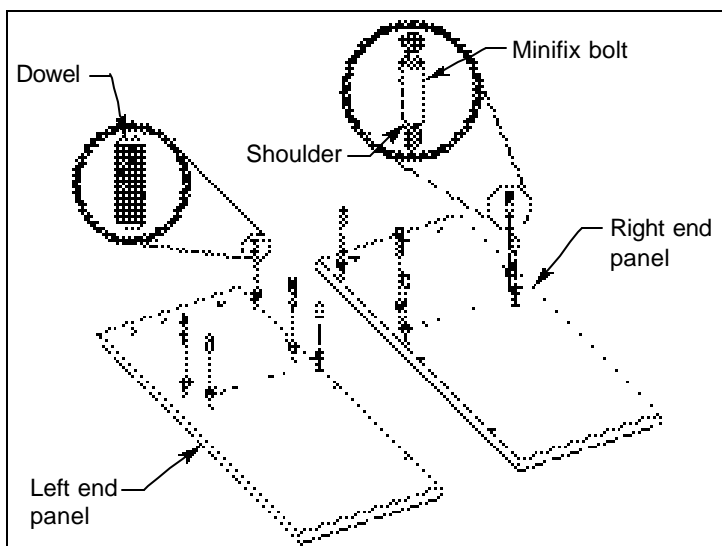
Illustration 11



11. Refer to Illustration 11. With arrows facing back, install a minifix cam (from hardware pack) into the hole along rear edge of each end block and on bottom of shelf.

Use the Phillips screwdriver to tighten minifix cams. Turn minifix cams clockwise to tighten.

Illustration 12



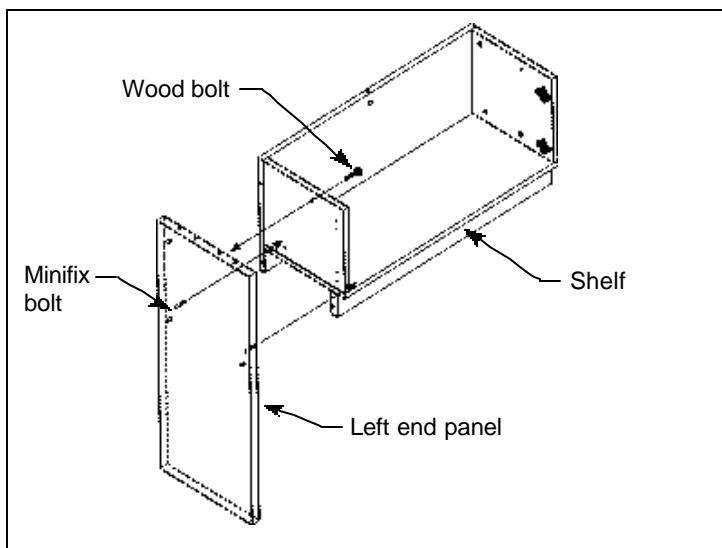
12. Refer to Illustration 12. Lay left and right end panels, with holes up, on cardboard or a carpeted surface.

Use the Phillips screwdriver to install two minifix bolts (from hardware pack) onto each end panel at the locations shown. Tighten each minifix bolt until minifix bolt shoulder is flat against surface of end panels.

Use the rubber mallet to install three dowels (from hardware pack) onto each end panel at the locations shown.

# STACK-ON UNIT

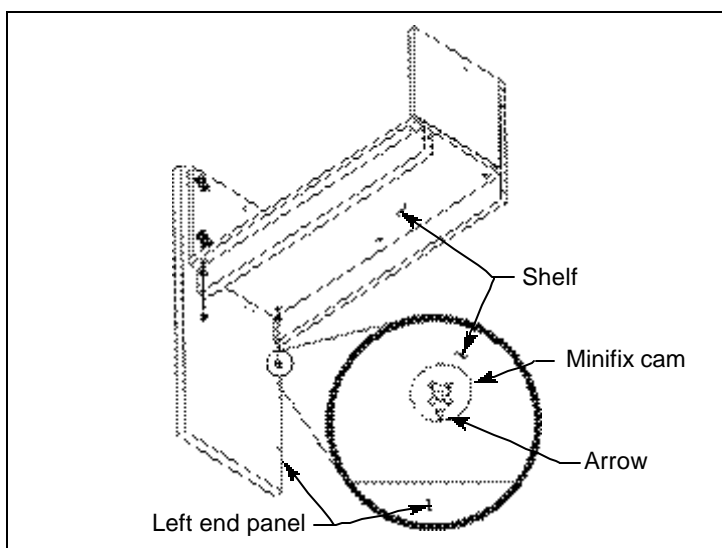
**Illustration 13**



13. Refer to Illustration 13. Attach left end panel to shelf by inserting minifix bolts, attached to left end panel, into holes drilled into left side of shelf.

Use the 4mm Allen wrench (from hardware pack) to install a wood bolt (from hardware pack) Through left end block and into left end panel.

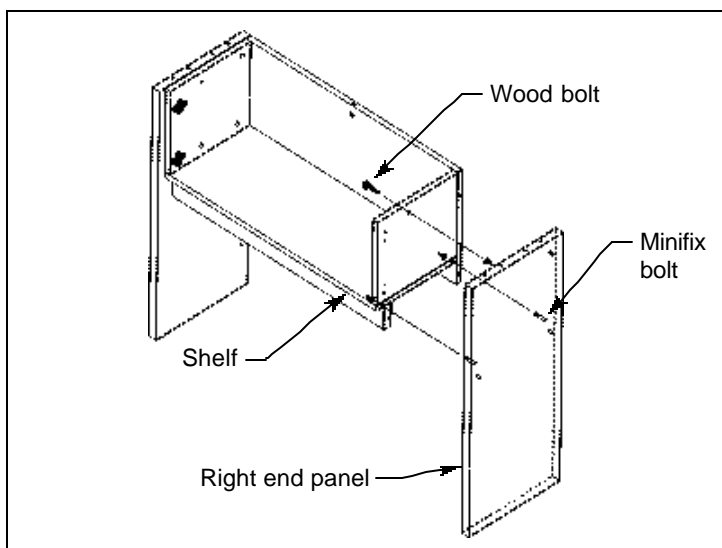
**Illustration 14**



14. Refer to Illustration 14. With arrows facing left end panel, install two minifix cams (from hardware pack) into holes along left side of shelf.

Use the Phillips screwdriver to tighten minifix cams. Turn minifix cams clockwise to tighten.

**Illustration 15**

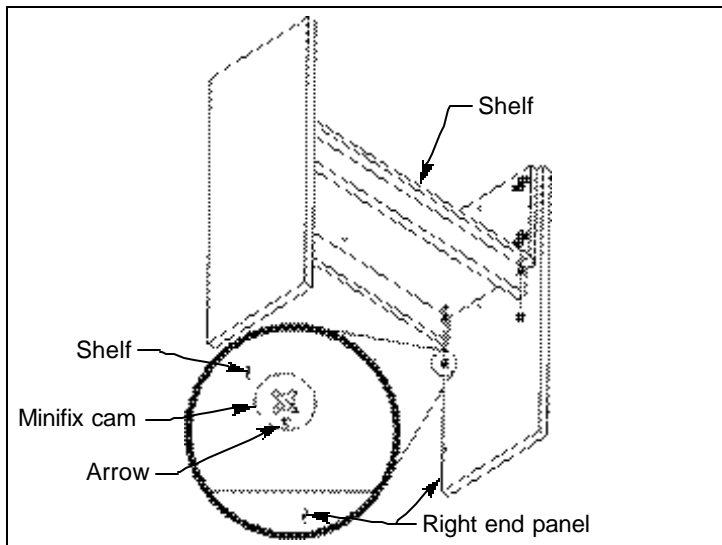


15. Refer to Illustration 15. Attach right end panel to shelf by inserting minifix bolts, attached to right end panel, into holes drilled into right side of shelf.

Use the 4mm Allen wrench (from hardware pack) to install a wood bolt (from hardware pack) Through right end block and into right end panel.

# STACK-ON UNIT

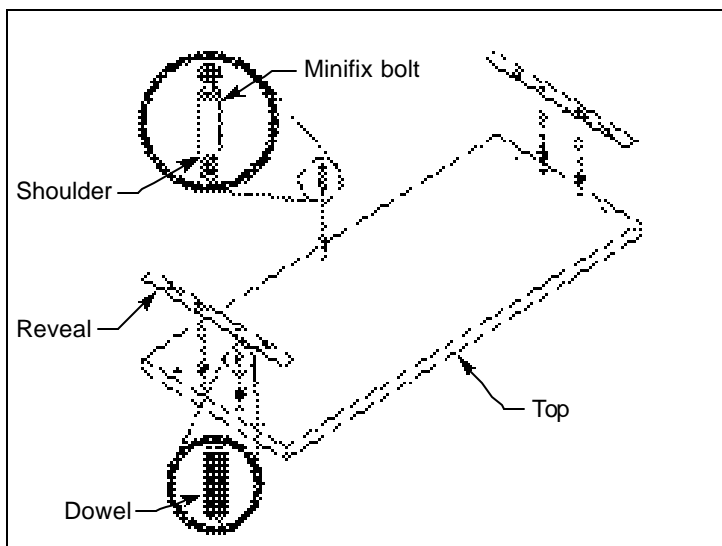
**Illustration 16**



16. Refer to Illustration 16. With arrows facing right end panel, install two minifix cams (from hardware pack) into holes along right side of shelf.

Use the Phillips screwdriver to tighten minifix cams. Turn minifix cams clockwise to tighten.

**Illustration 17**



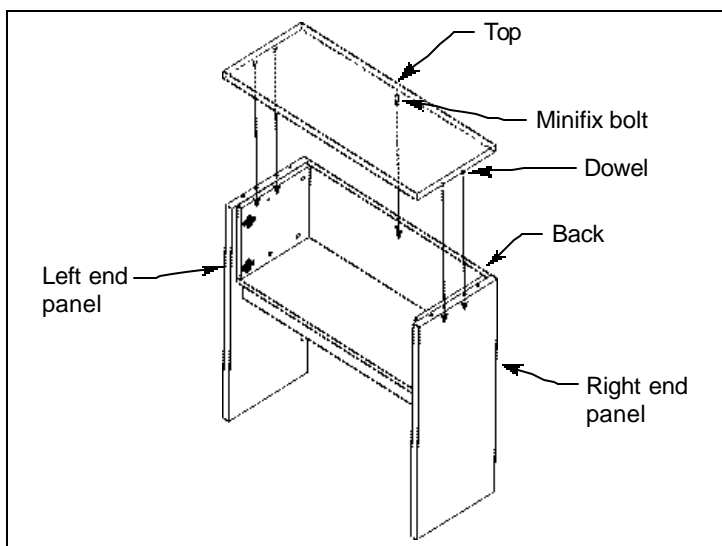
17. Refer to Illustration 17. Lay top, with holes up, on cardboard or a carpeted surface.

Use the rubber mallet to install four dowels (from hardware pack) onto top as shown.

Place reveals onto top (over dowels) as shown. Align holes in reveals with holes along sides of top. Position reveals so that edge of each reveal is flush with edge of top.

Use the Phillips screwdriver to install a minifix bolt (from hardware pack) onto top. Tighten minifix bolt until minifix bolt shoulder is flush against surface of top.

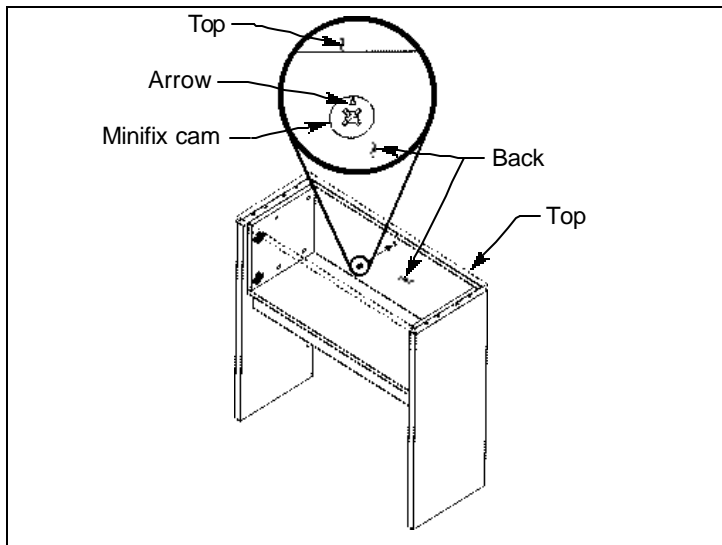
**Illustration 18**



18. Refer to Illustration 18. Attach top to back, right end panel, and left end panel by inserting dowels and minifix bolt, attached to top, into holes drilled into top edges of back and end panel assemblies.

# STACK-ON UNIT

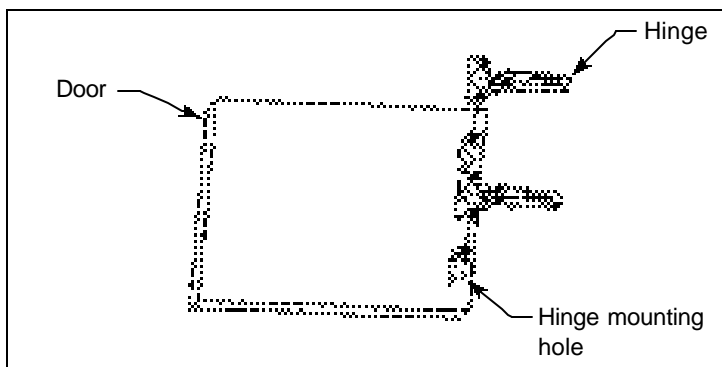
Illustration 19



19. Refer to Illustration 19. With arrow facing top, install a minifix cam (from hardware pack) into the hole along top edge of back.

Use the Phillips screwdriver to tighten minifix cam. Turn minifix cam clockwise to tighten.

Illustration 20

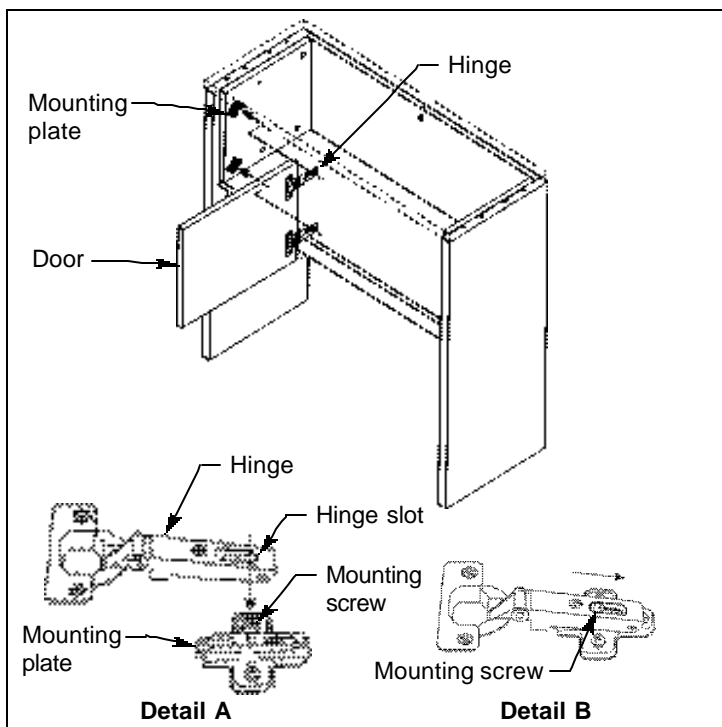


20. Refer to Illustration 20. Locate hinge mounting holes on rear of door. Lay door, with hinge mounting holes up, on cardboard or a carpeted surface.

Use the rubber mallet to install two hinges (from hardware pack) onto door as shown. Align hinges with hinge mounting holes and carefully tap hinges into place.

Repeat this procedure for remaining door.

Illustration 21



21. Refer to Illustration 21. Attach door, with hinges, to stack-on.

Refer to Detail A. Insert mounting screw on mounting plate into hinge slot.

Refer to Detail B. Slide hinge rearward until mounting screw is at the front of hinge slot.

Use the Phillips screwdriver to tighten mounting screw.

Repeat this procedure for remaining door.

# STACK-ON UNIT

Illustration 22

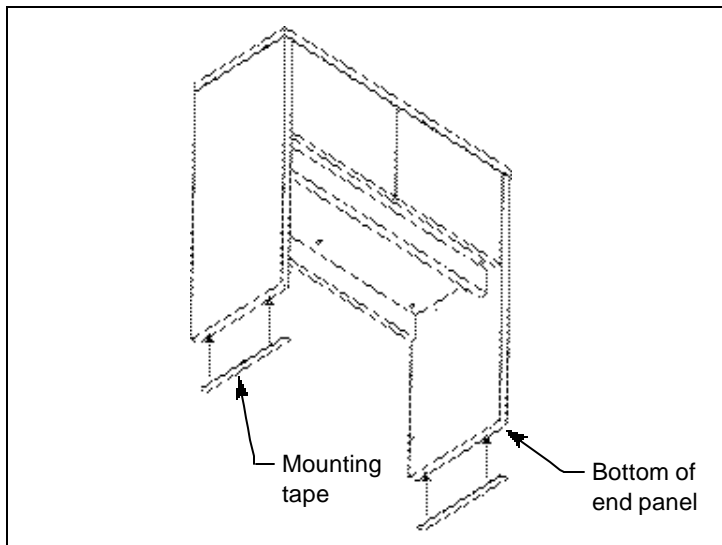


Illustration 23

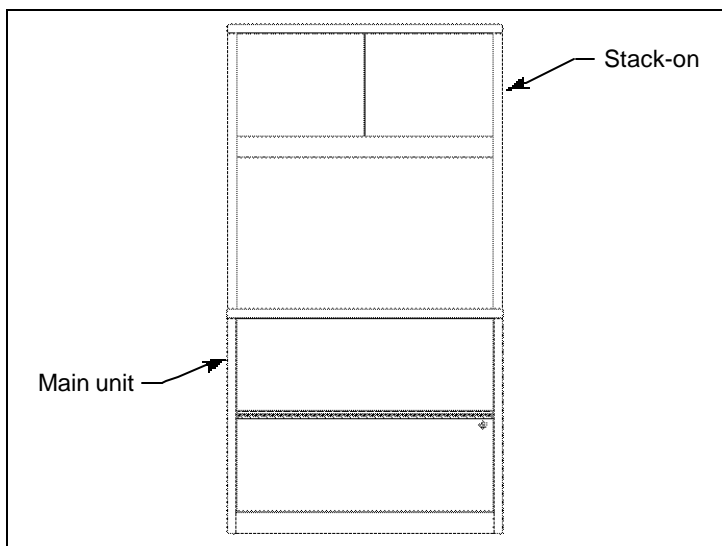
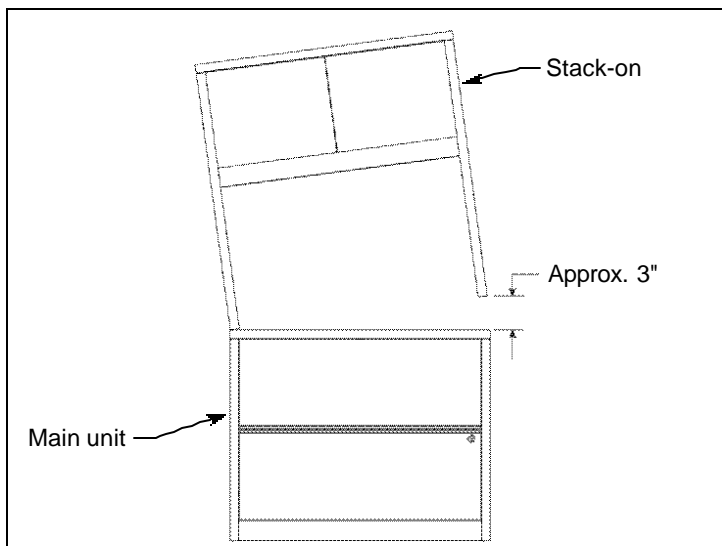


Illustration 24



## IMPORTANT

Mounting tape used to secure stack-on is extremely sensitive and designed for permanent installation. Attempting to remove mounting tape after installation will damage mounting tape.

22. Refer to Illustration 22. Ensure bottoms of stack-on end panels are clean, dry, and free of oils. Use a rag and warm soapy water to clean bottom of end panels.  
Unroll mounting tape and carefully apply mounting tape to bottoms of stack-on end panels.

### Stack-On Installation:

1. Ensure top of main unit is clean, dry, and free of oils.

## IMPORTANT

Do not remove protective cover on mounting tape until instructed to do so.

2. Refer to Illustration 23. Use two or more people to position stack-on onto main unit. Stack-on should be flush with sides and rear edge of main unit. **Do not remove protective cover from mounting tape on bottom edge of end panels.**

After aligning stack-on unit, place masking tape on top of main unit to mark position.

## IMPORTANT

Mounting tape used to secure stack-on is extremely sensitive and designed for permanent installation. Attempting to remove stack-on will cause severe damage to surface of main unit.

3. Refer to Illustration 24. Lift one end of stack-on up approximately 3". Take care not to apply any pressure which may cause the opposite end of stack-on to slip off of main unit.

While stack-on is raised, remove protective cover from mounting tape. While maintaining alignment, carefully lower stack-on and realign end panel with masking tape.

Repeat this procedure for opposite end of stack-on.

## ⚠ WARNING

**Do not lean on, bump, or load storage shelf of this stack-on for a period of 12 hours minimum after mounting tape has been in contact with main unit. Do not use this stack-on without the mounting tape. Failure to follow this warning can cause the stack-on to tip and fall, resulting in severe injury to yourself or others.**